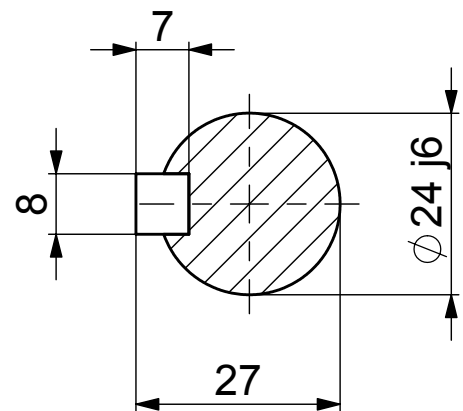
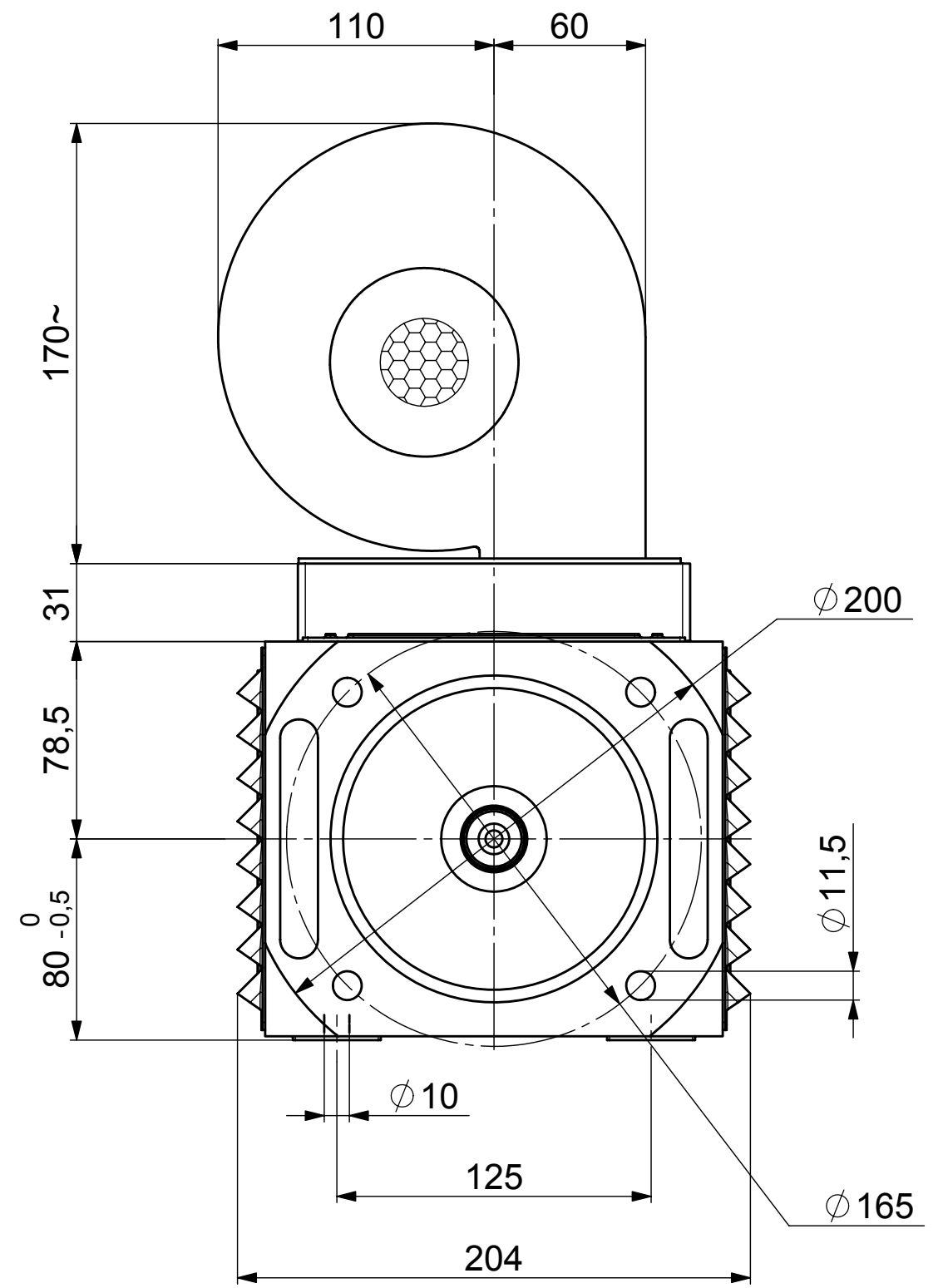
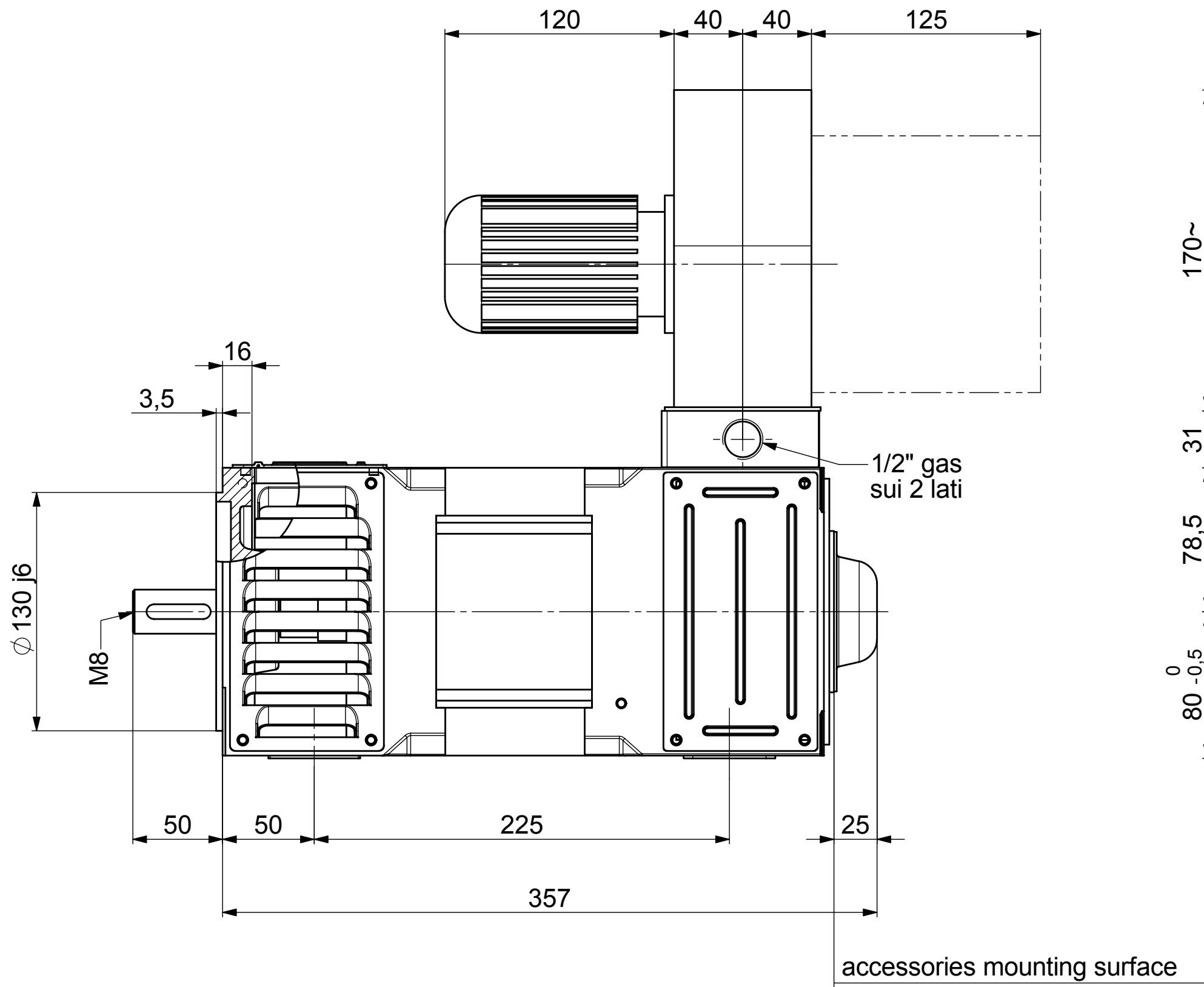


## TECHNICAL SPECIFICATIONS

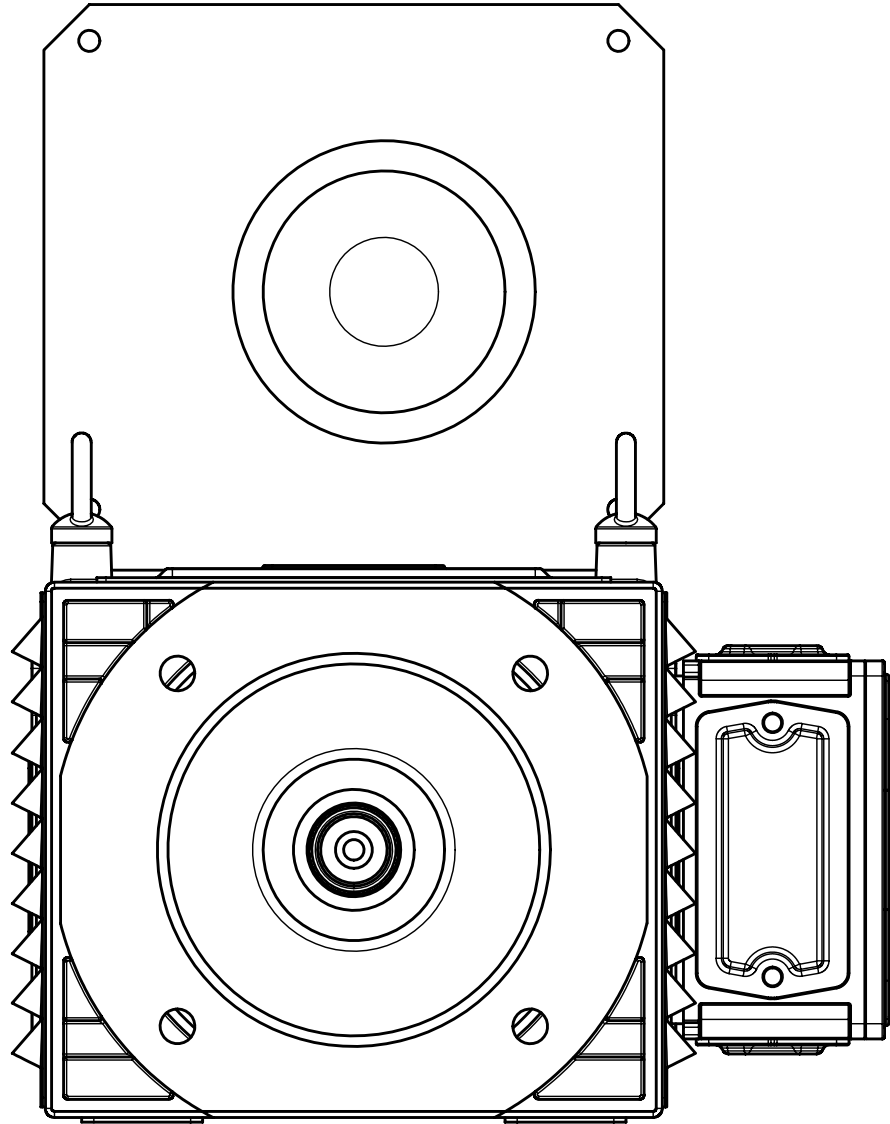
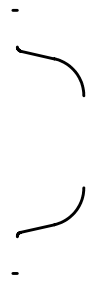
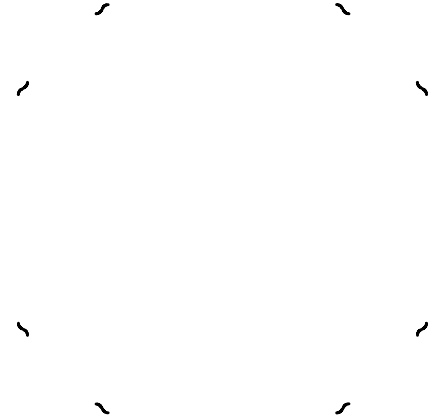
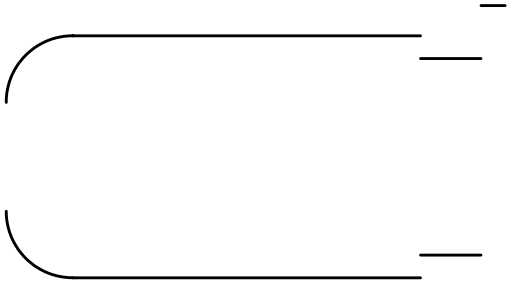
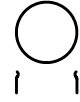
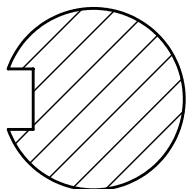
IP PROTECTION	IP23 (IP54 on request with power derating)
THERMAL PROTECTION	KLIXON (PT100, PTC on request)
SHAFT EXTENSION	FITTED KEY (PLAIN SHAFT on request)
BALANCING	FULL KEY (HALF KEY on request)
VIBRATION GRADE	A
INSULATION CLASS	F
COOLING METHOD	IC06 (IC01, IC0641, IC416, IC410, IC411, IC0666 on request with power derating)
AMBIENT CONDITIONS	0 ÷ 40°C (32 ÷ 104°F) 1000m ASL
TRANSDUCER	TACHOMETER GENERATOR (on request)
MOUNTING FORM	B3, B5, B35 by request
PAINTING	NITRO, POLYURETHANIC, C5M, on request

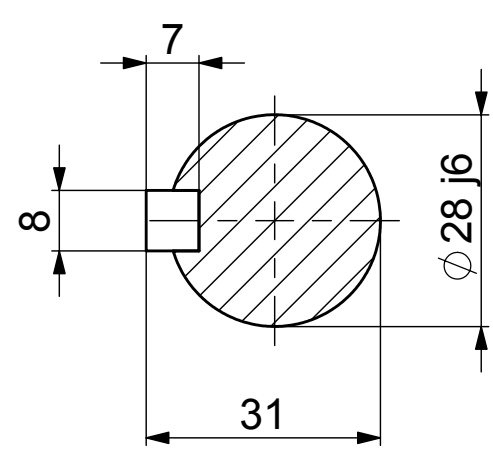
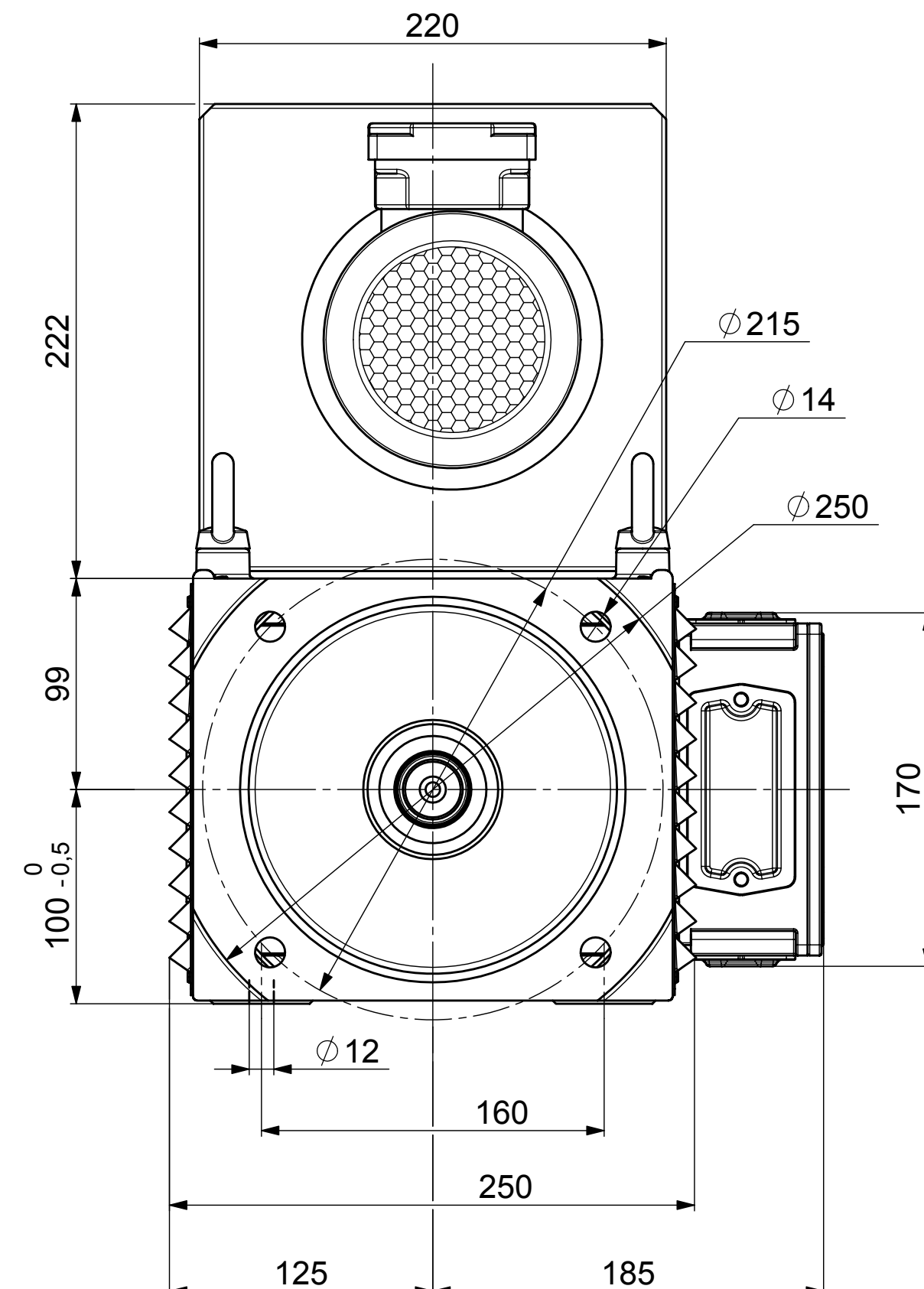
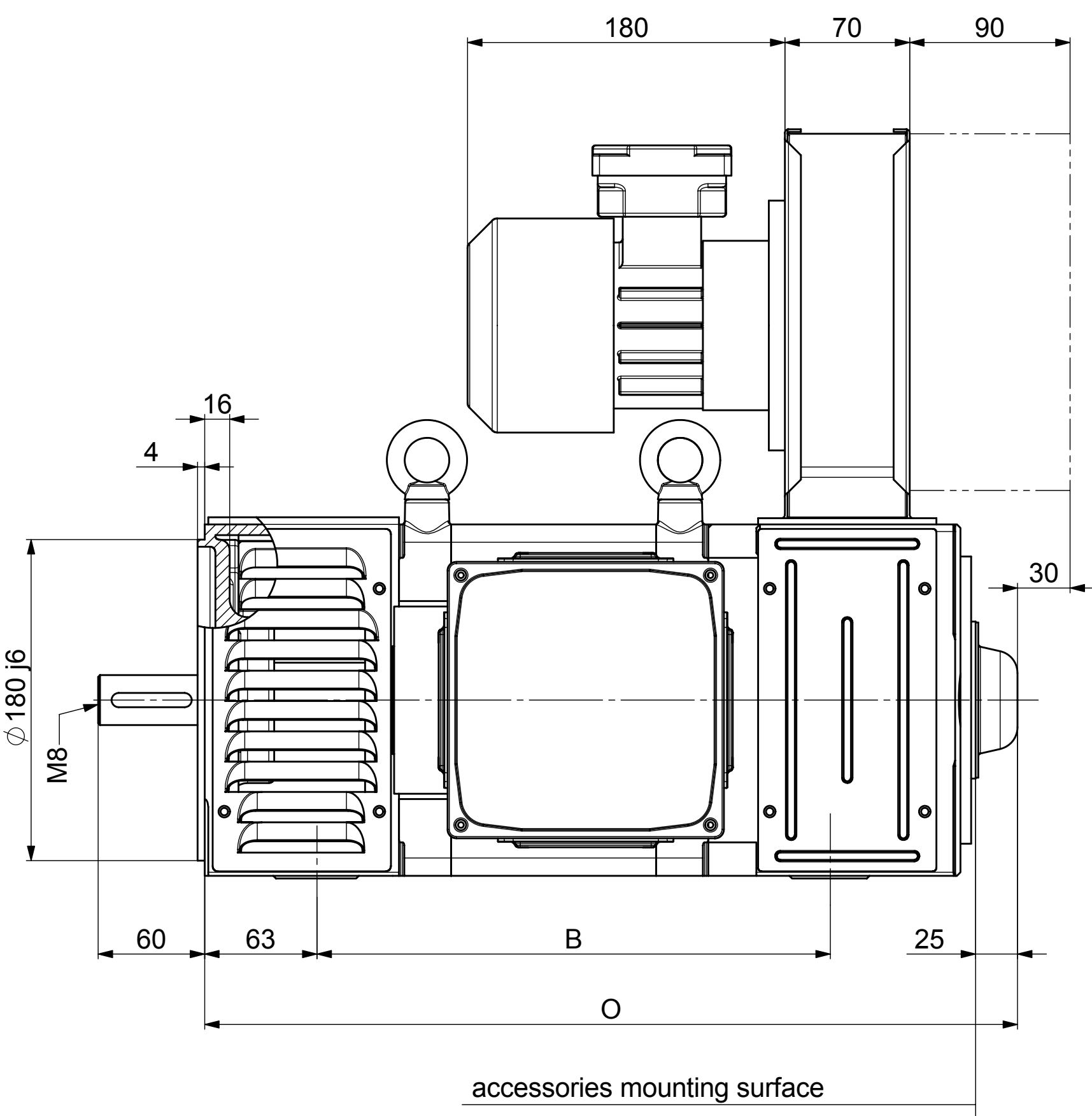
## STANDARD WINDINGS DATA

TYPE	SHAFT HEIGHT	RATED TORQUE (S1)	RATED SPEED RANGE	RATED POWER RANGE	EXCITATION POWER (20°C)
	mm	Nm	rpm	kW	W
RTL 80 S	80	10,4	930 - 3590	1,1 - 3,9	250
RTL 80 M	80	14,1	930 - 3220	1,5 - 4,8	300
RTL 80 L	80	18,3	900 - 3290	1,8 - 6,3	380
RTL 90 M	90	22,0	970 - 3180	2,4 - 7,3	410
RTL 90 L	90	27,3	980 - 3230	2,9 - 9,2	450
RTL 90 P	90	33,5	800 - 3210	3,0 - 11,3	480
RTL 100 M	100	40	880 - 3050	4,0 - 12,8	535
RTL 100 L	100	49	800 - 3180	4,8 - 16,3	600
RTL 100 P	100	60	820 - 3220	5,5 - 20,2	650
RTL 112 M	112	69	1070 - 3300	8,1 - 23,8	650
RTL 112 L	112	82	1050 - 3050	9,5 - 26,4	760
RTL 112 P	112	97	930 - 3080	9,9 - 31,3	870
TL 132 BS	132	113	890 - 3450	11 - 40	980
TL 132 BM	132	150	970 - 3450	16 - 54	1150
TL 132 BL	132	175	1000 - 3050	19 - 56	1350
TL 132 BP	132	210	880 - 3000	18 - 67	1700
RTL 160 S	160	250	910 - 3050	24 - 80	1650
RTL 160 M	160	315	940 - 3200	31 - 105	1800
RTL 160 L	160	370	740 - 2820	29 - 109	2000
RTL 160 LB	160	430	720 - 3050	32 - 138	2300
TL 200 BK	200	445	720 - 2650	34 - 123	2000
TL 200 BS	200	530	750 - 2600	41 - 144	2250
TL 200 BM	200	620	710 - 2340	47 - 152	2500
TL 200 BL	200	730	730 - 2420	56 - 180	2800
TL 200 BLB	200	840	610 - 2300	54 - 180	3000

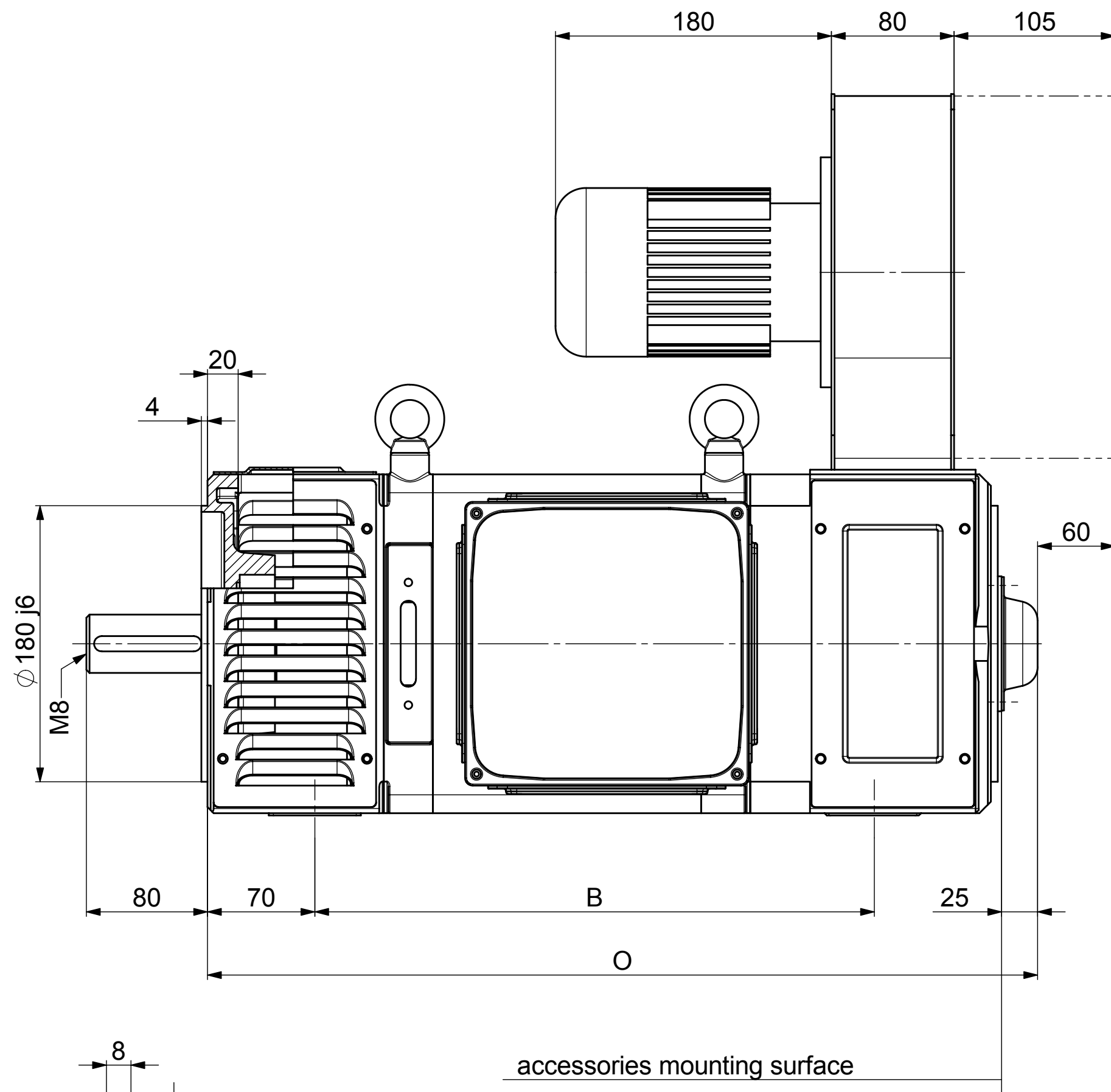


motor	B	O	kg
80 K	210	345	22
80 S	225	360	26
80 M	250	385	31
80 L	290	425	39



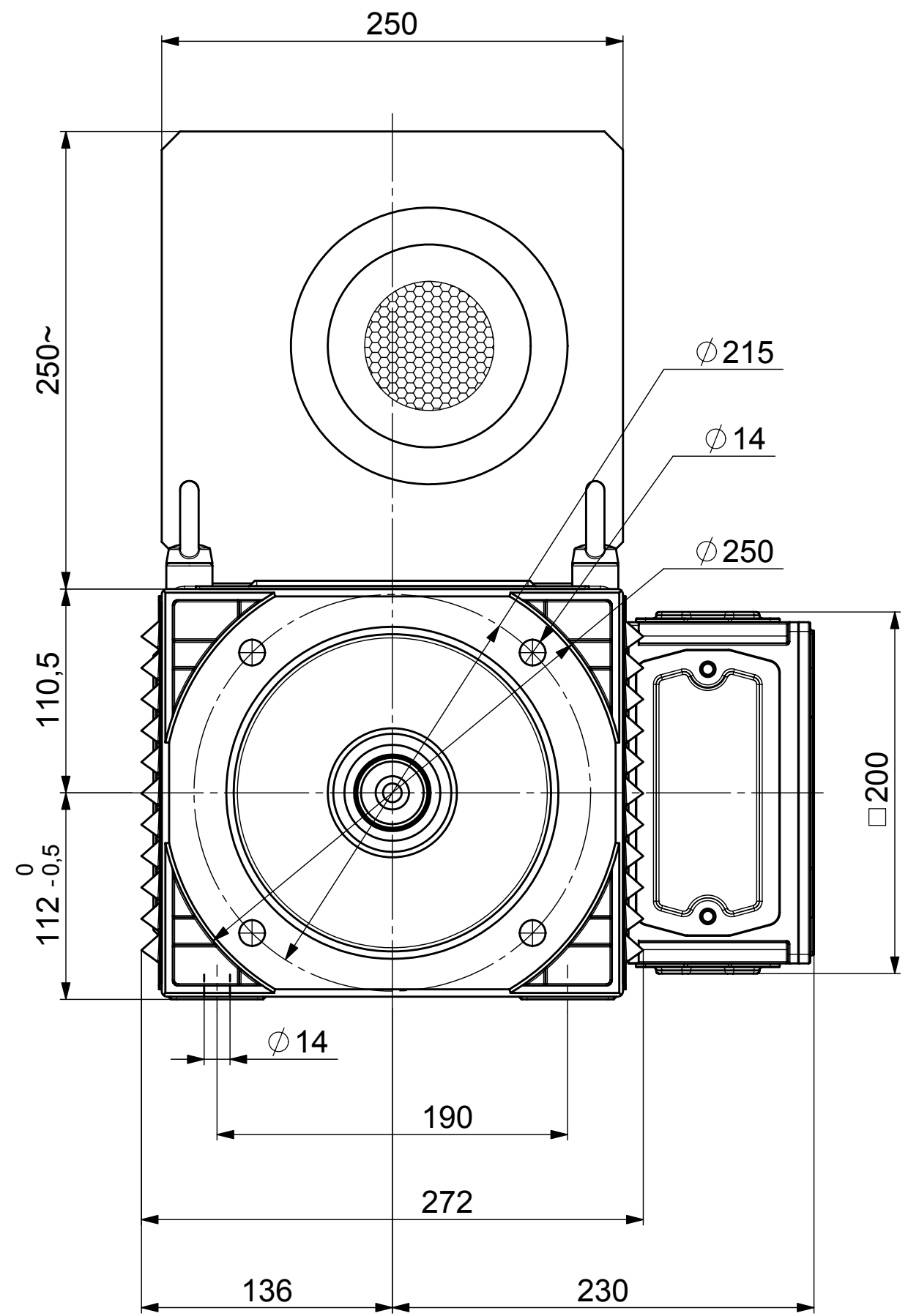


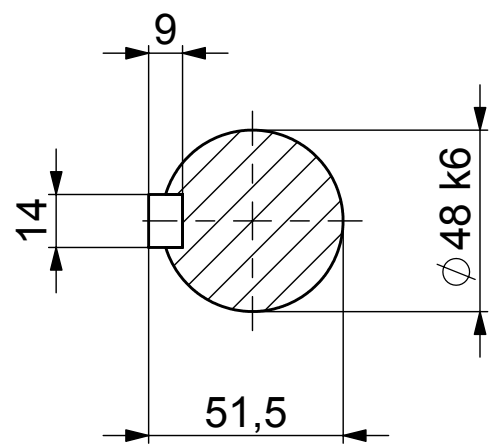
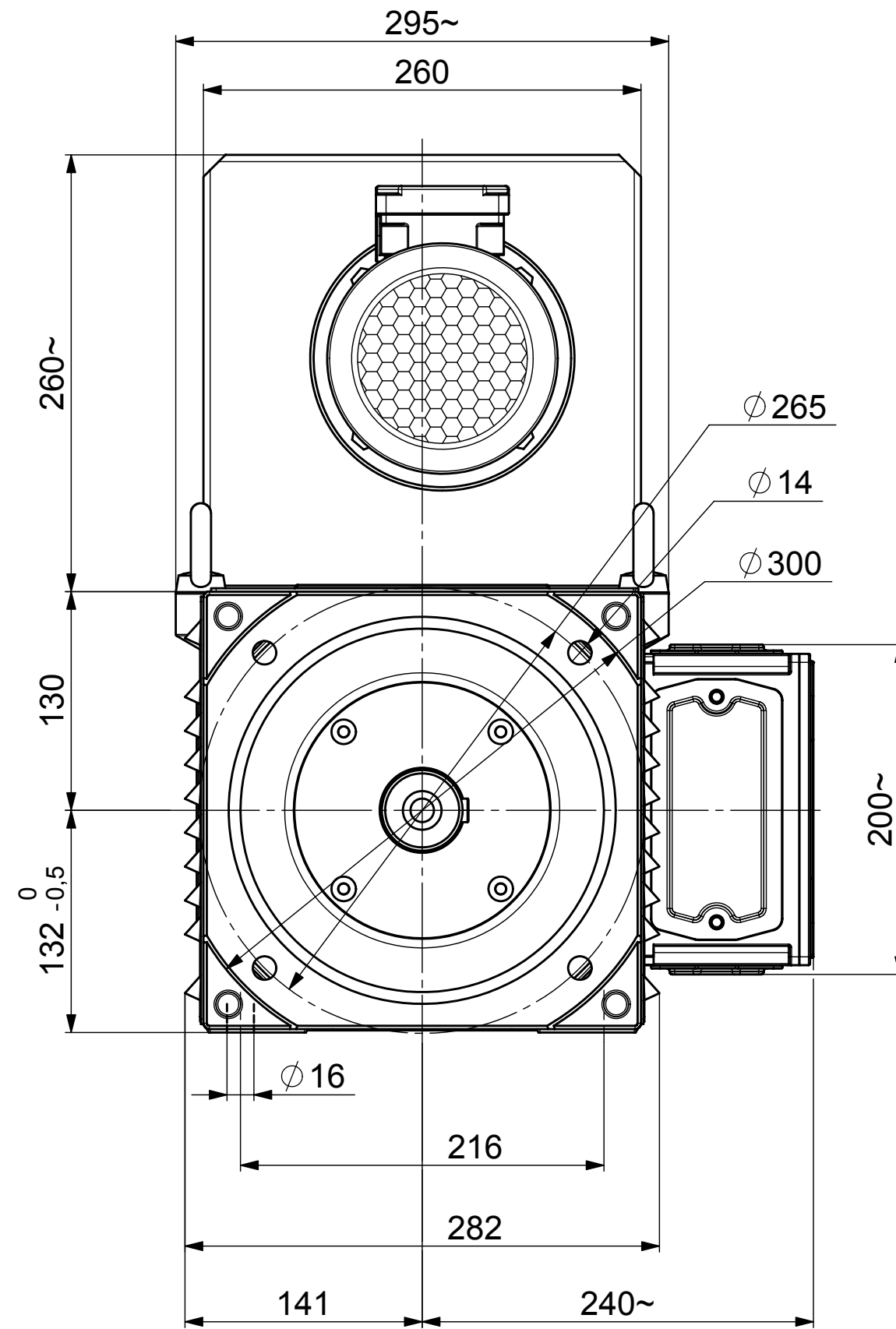
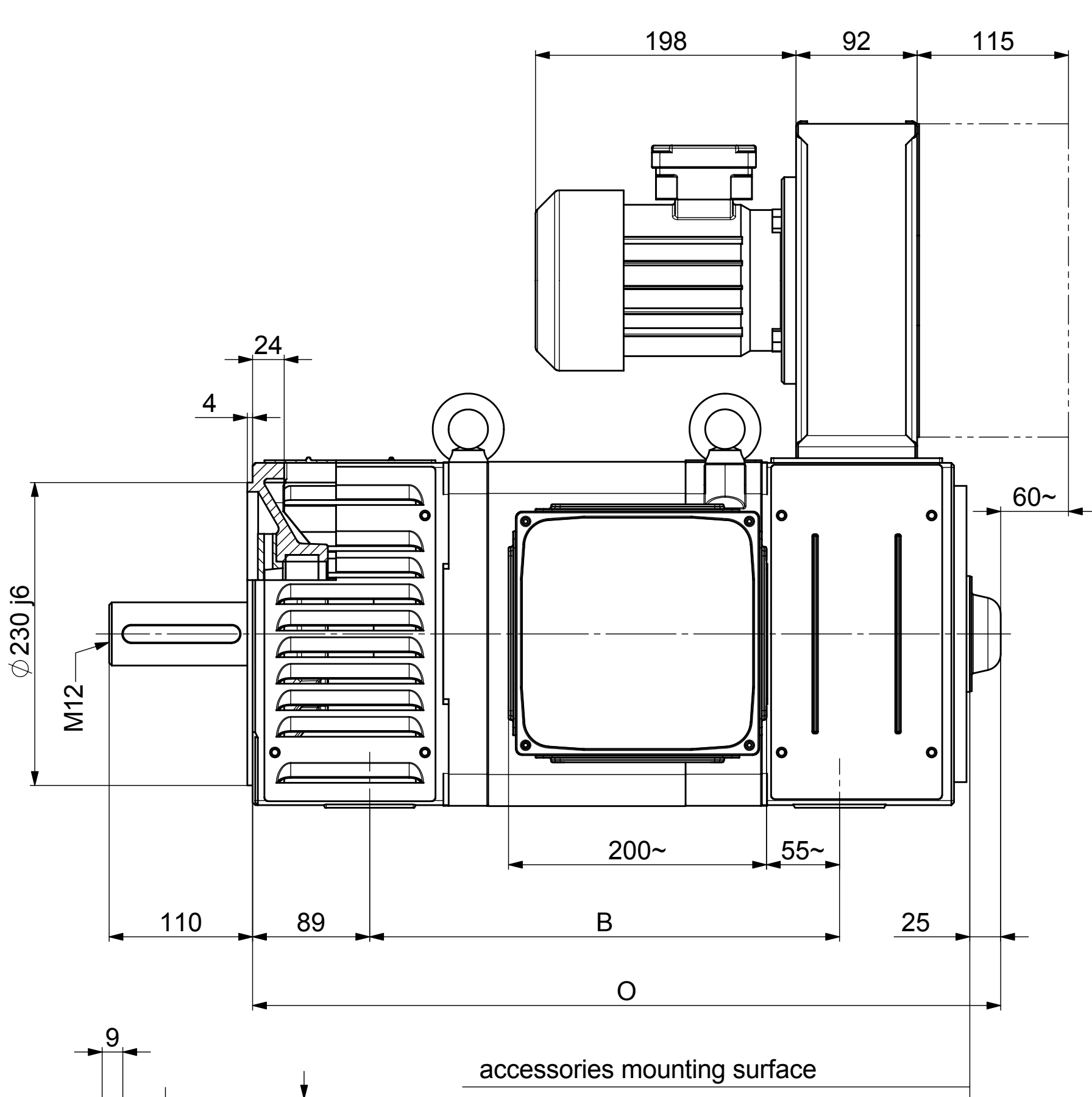
<i>motor</i>	<b>B</b>	<b>O</b>	<b>kg</b>
<b>100 S</b>	288	460	61
<b>100 M</b>	323	495	70
<b>100 L</b>	363	535	80
<b>100 P</b>	403	575	90



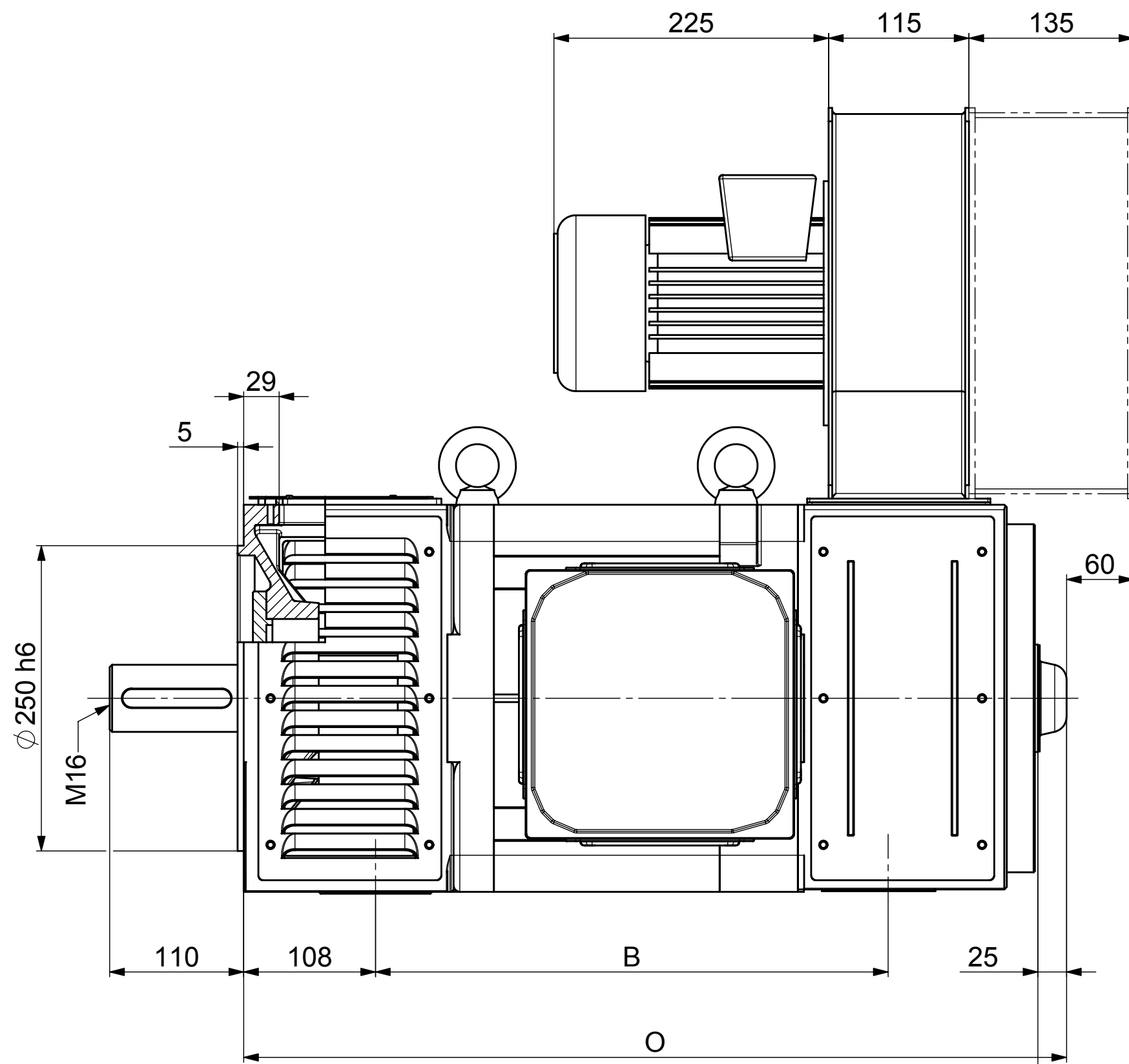
accessories mounting surface

motor	B	O	kg
112 M	410	590	105
112 L	455	635	120
112 P	500	680	140

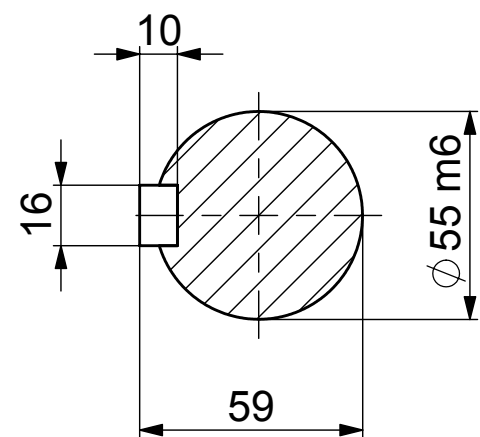




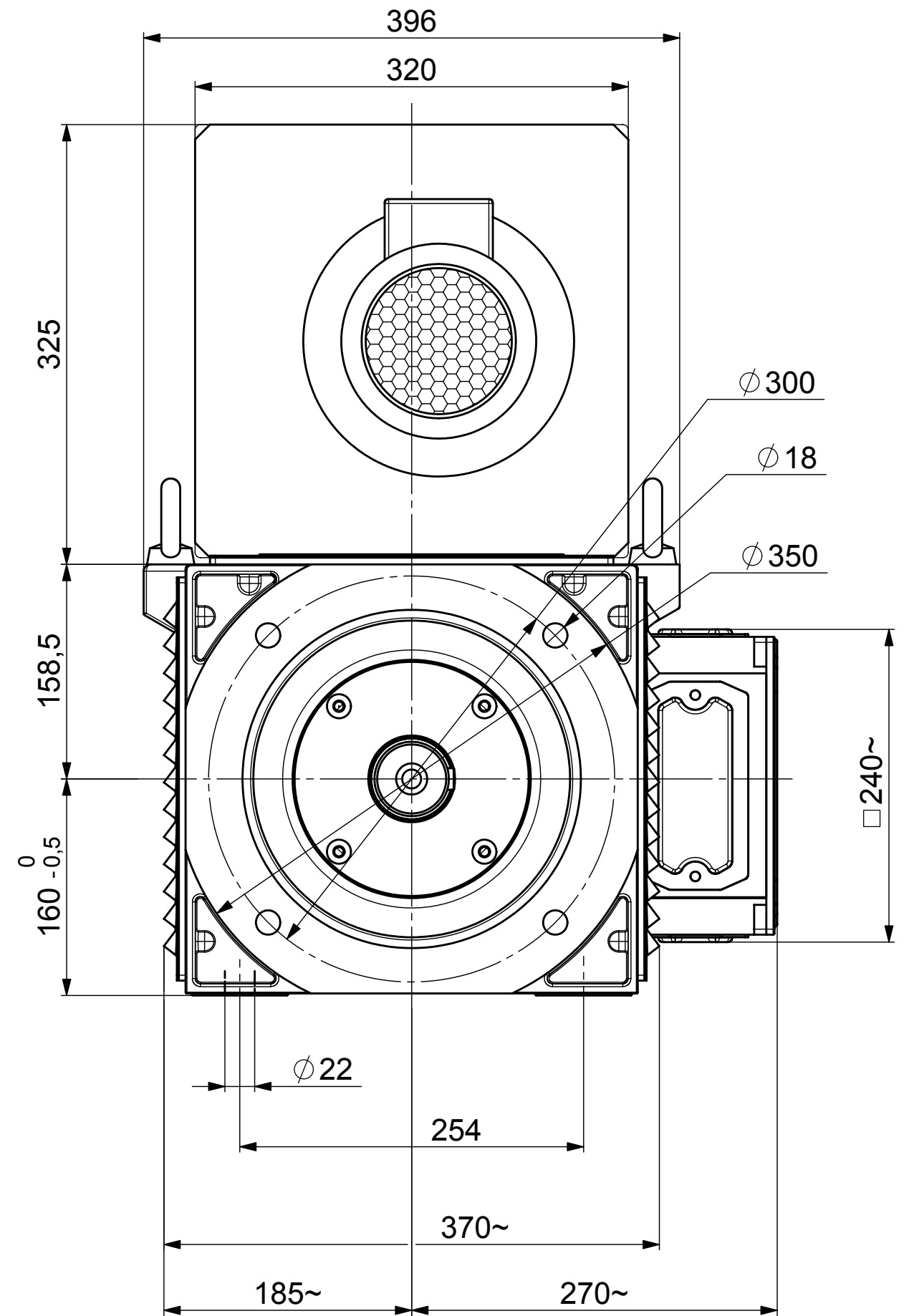
<i>motor</i>	<b>B</b>	<b>O</b>	<b>kg</b>
<b>132 BS</b>	356	570	115
<b>132 BM</b>	406	620	135
<b>132 BL</b>	456	670	155

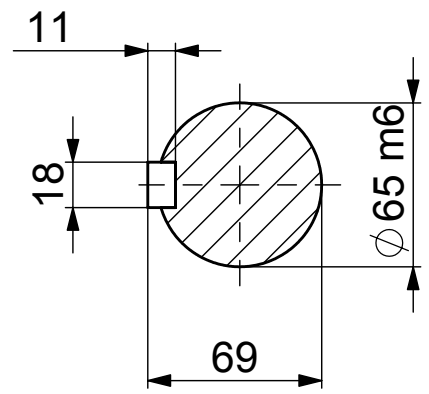
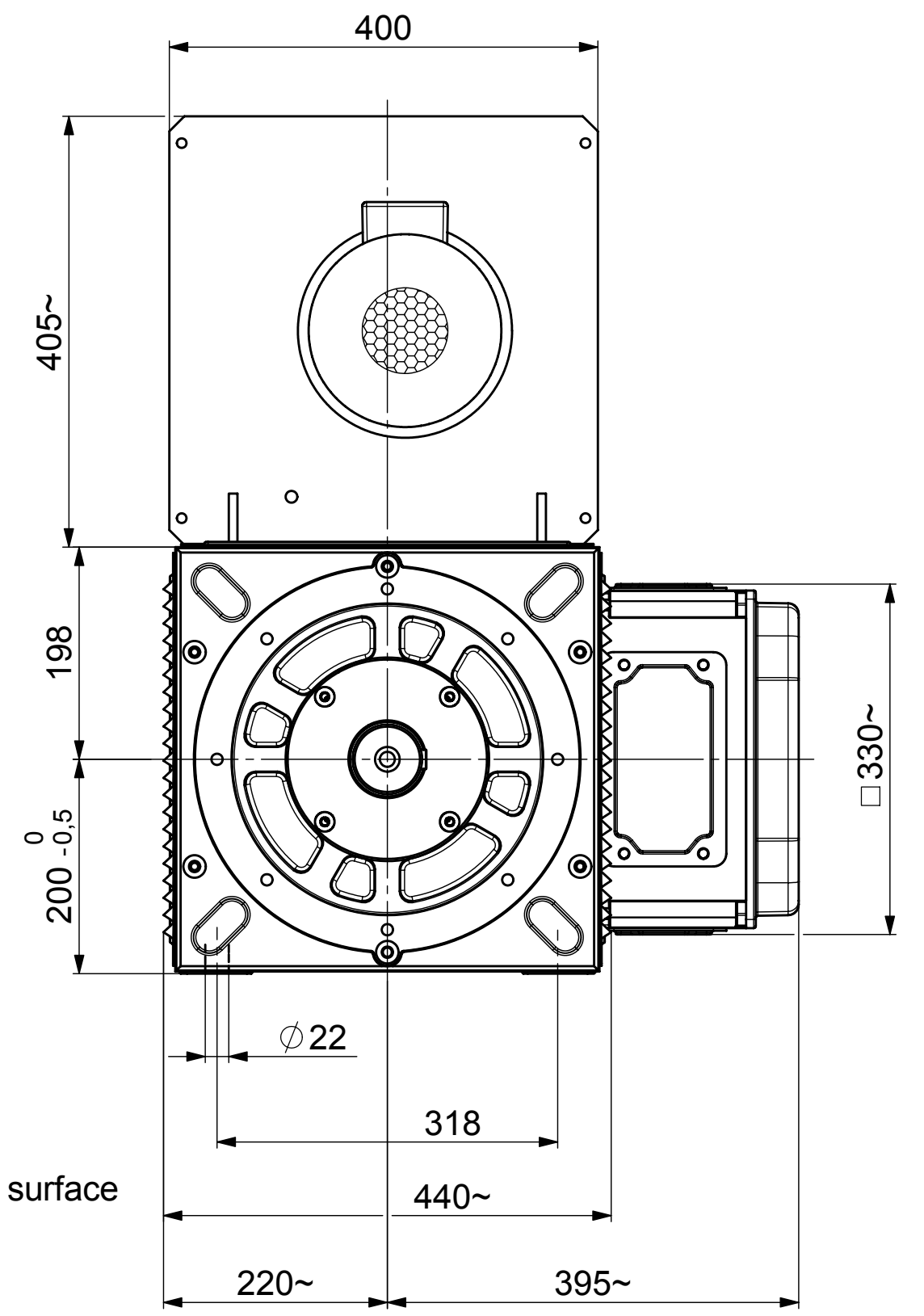
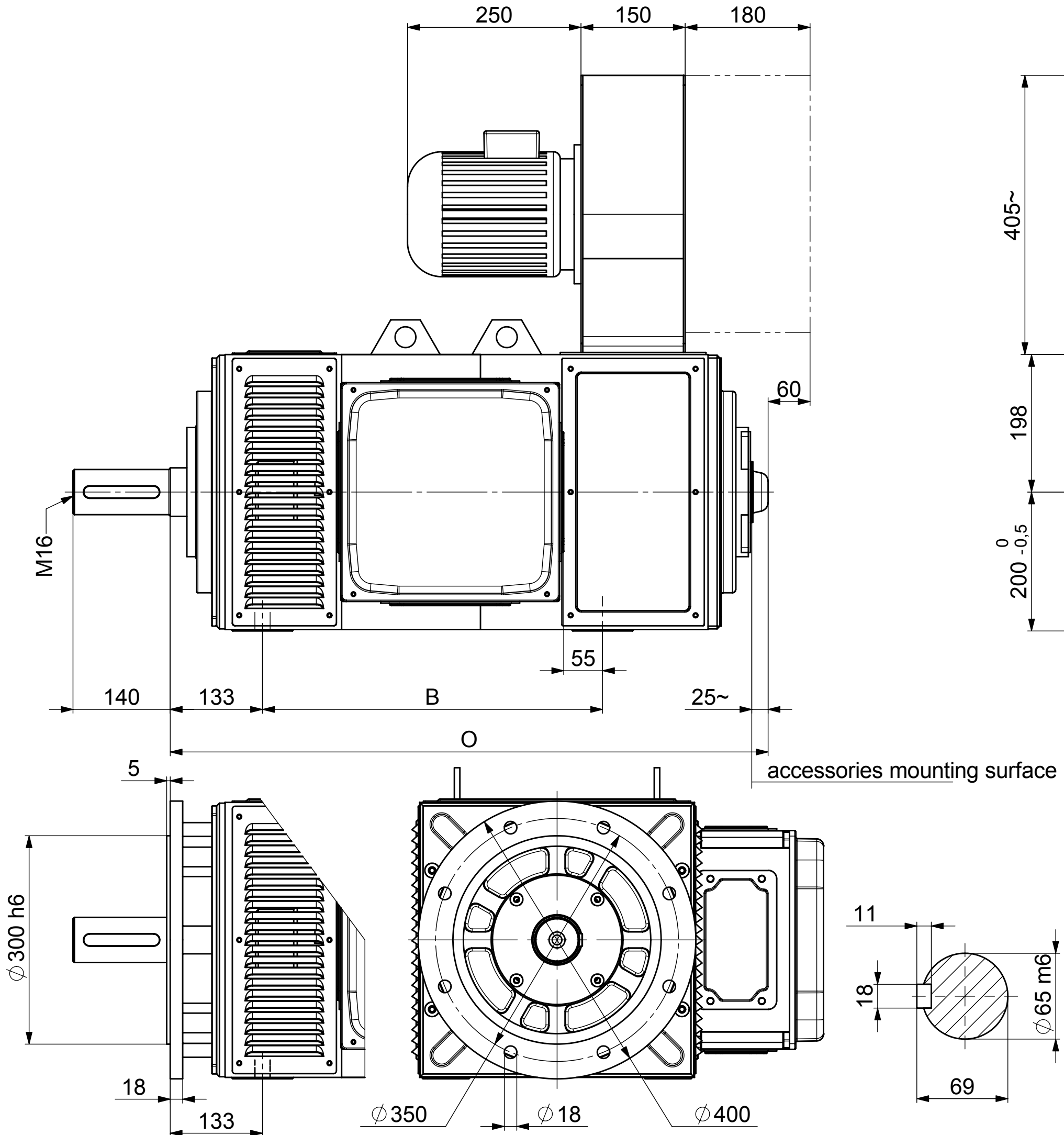


accessories mounting surface



<i>motor</i>	<b>B</b>	<b>O</b>	<b>kg~</b>
<b>160 S</b>	420	685	218
<b>160 M</b>	470	735	258
<b>160 L</b>	530	795	295
<b>160 LB</b>	600	865	345





motor	B	O	kg
200 BK	490	865	430
200 BS	530	905	475
200 BM	570	945	510
200 BL	620	995	545
200 BLB	680	1055	600
200 BLX	750	1125	670