

Schweiß-Synchrongeneratoren mit Anschlusskasten

Welding-Generator with Terminalbox

HM1 130 A.C. – HM1 180 A.C. – HM1 200 A.C.



(M166)

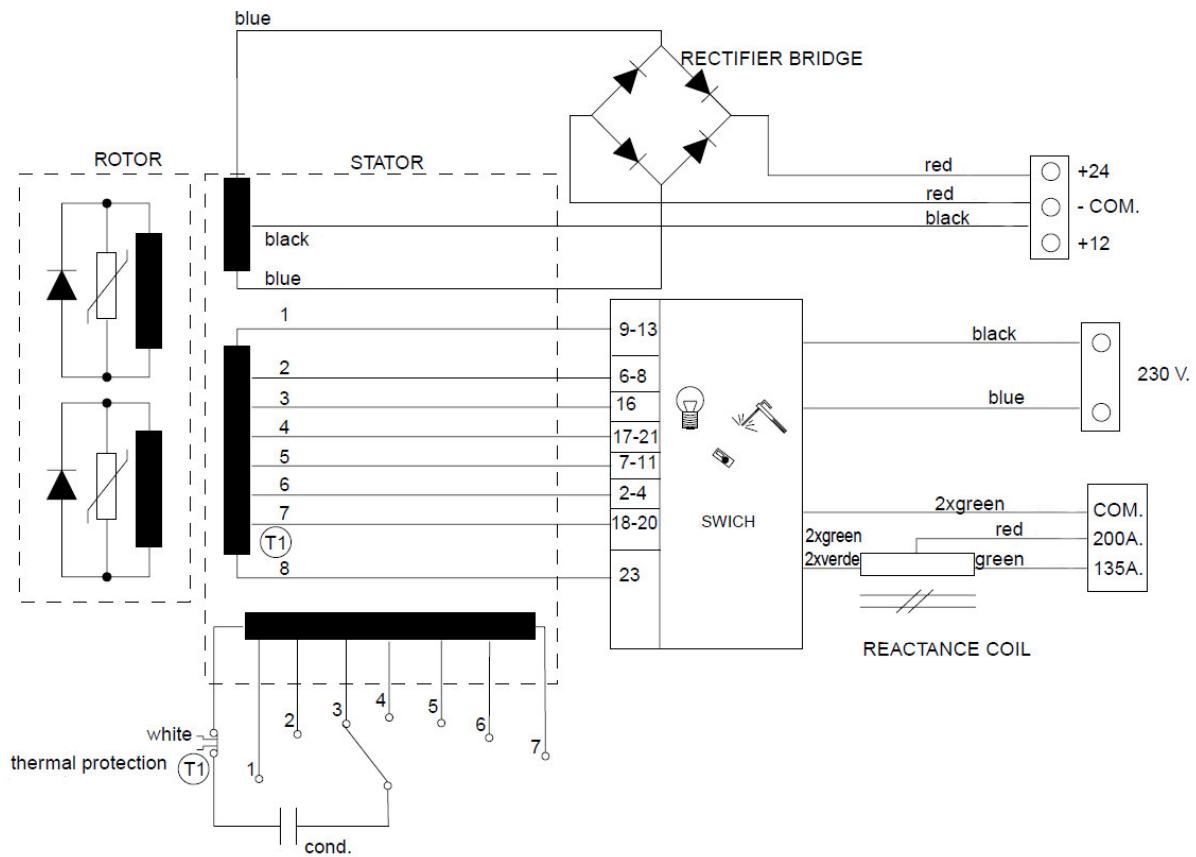
GENERAL FEATURES

The brushless design of this welder-generator ensures maintenance free operation and in co-operation with the special configuration of the windings, the unit proves the user with a high power to weight ratio, guaranteeing maximum output power both as a generator and a welder.

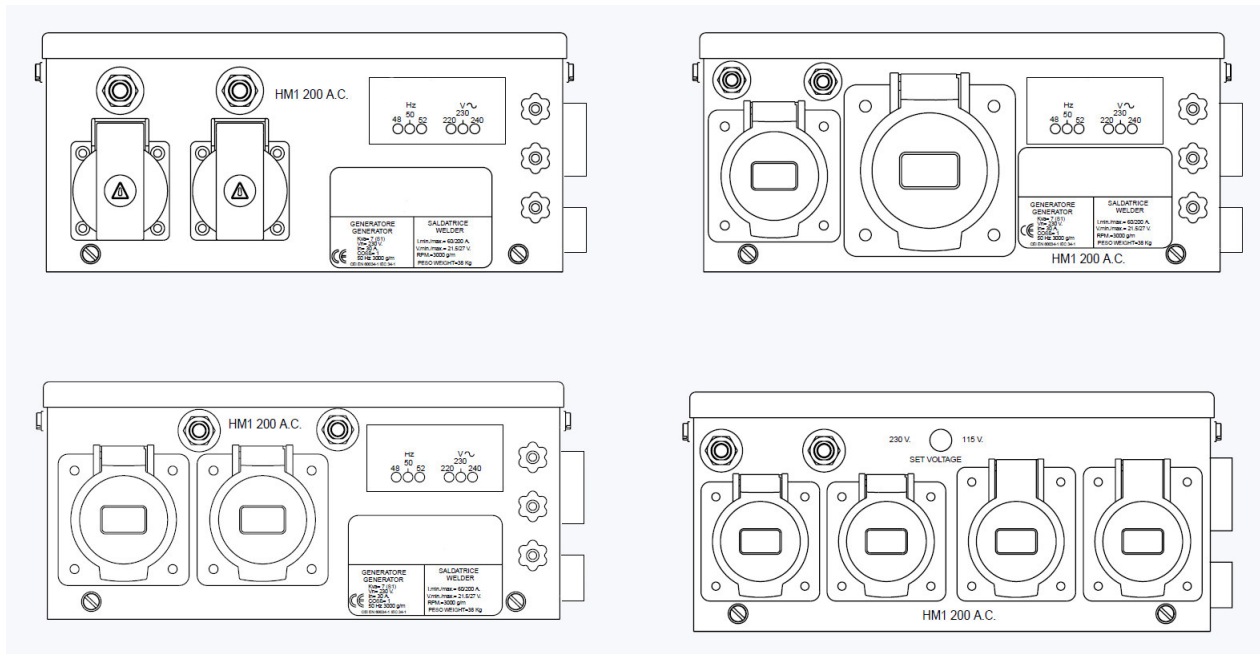
TECHNICAL CHARACTERISTICS AT 3000 RPM

	HM1 130 A.C.	HM1 130 A.C.	HM1 130 A.C.
OPERATION AS A GENERATOR			
Frequency	50 Hz		
Cos φ	1,0		
Voltage - (Adjustment of Switch)	230V ~		
Power	4 KVA	6 KVA	7 kVA
Voltage Precision	the voltage is kept within +/- 5%		
Distortion	< 7%		
OPERATION AS A WELDER			
Maximum Welding Current	130 A	180 A	200 A
AC Strike Voltage	39 - 56 Volts		
AC Welding Voltage	21,5 - 25,5 volts		
Regulation	two scale of 7 position		
Electrodes	Ø1,5...3,25 mm (ruttile)		
Maximum operation power	8,5 HP	12 HP	15 HP
OPERATION AS A BATTERY CHARGER			
The generator can function of battery charger, using relative exits, adjust the out current by positioning the commutator.			
Voltage dc	12/24V		
Current dc	10 A		
THERMAL PROTECTION			
The machine is equipped with a thermal protection device which intervenes, in case of overload, and self restore it.			
MECHANICAL STRUCTURE			
The frame and drive end brackets of the unit is fabricated in diecast aluminium. C45 grade steel is utilized for the shaft and the rotor is skewed to provide low distortion on the waveform. Ventilation is provided by an aluminium fan fitted to the shaft. The roller bearings are sealed for life.			
INSULATION AND IMPREGNATION			
Insulation level is Class H Epoxy resins used guarantee extremely good protection in arduous environments.			
PROTECTION DEGREE			
Generator: IP23 Welder : IP21			
WEIGHT			
39 kg			
SPECIAL VERSION			
The great flexibility of this Series allows for different versions of outlet sockets, frequencies and voltages.			

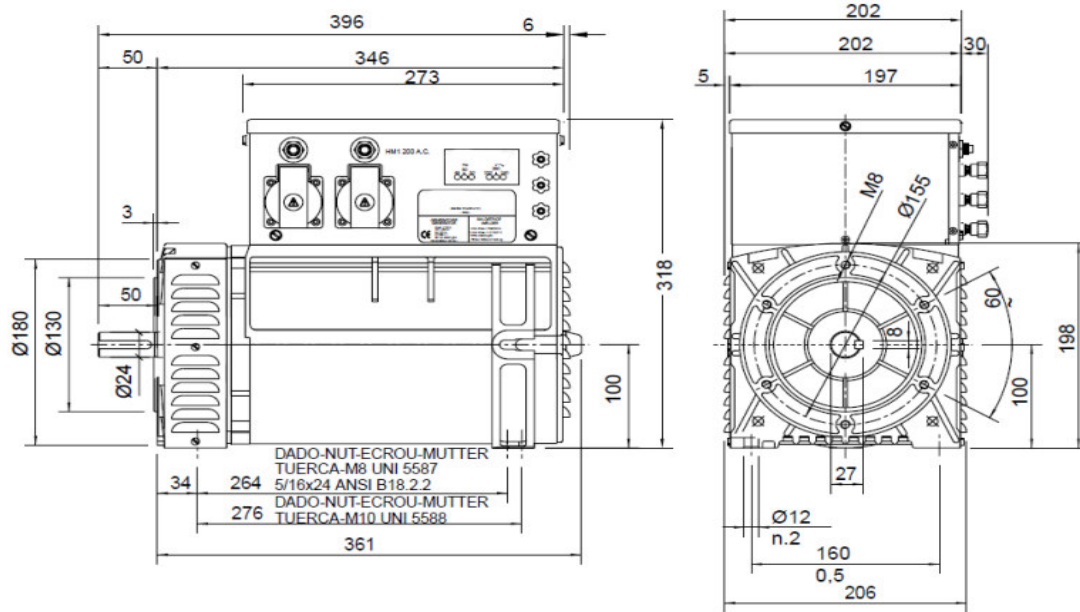
WIRING DIAGRAM



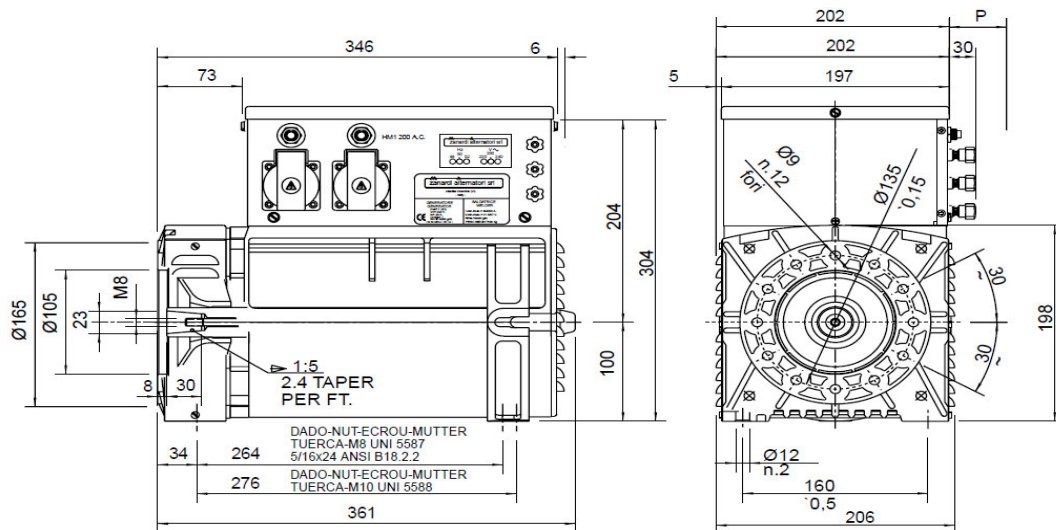
STANDARD VERSION EXAMPLES



B3/B14 FORM



B9/C23 FORM



J609B FORM

