

# Brake electric rectifier

## General Notes

This instruction must be retained! It is a component of an "incomplete machine" in acc. with the machine guideline.

The contents of this manual are not part of a prior or existing agreement style commitment or legal relationship.

The contents of these instructions shall not become part of or modify any prior or existing agreement, commitment or relationship. All work involved in the transport, connection, commissioning and regular maintenance must be carried out by qualified, responsible specialists (note VDE 0105; IEC 364). Before start-up the connection is to be examined by an examined electrical master.

The data and recommendations specified in all the instructions supplied, and in all other related instructions, must always be observed in order to avoid hazardous situations and the risk of possible injury or damage. Furthermore, the pertinent national, local and plant-specific regulations and requirements should be kept in mind!

Special designs and other versions may vary in technical details! For this if necessary separate guidance are to be considered! In particular with motors in explosion-proof execution and motors for the application on ships.

If doubt, be sure to contact the manufacturer, quoting the type designation and delivery note number.

This rectifier is used for rectifying current of three-phase to direction current.

## Description / Application

Normal use of the rectifiers:

These rectifiers are intended for commercial installations. They comply with the harmonized standards of the EN60034 (VDE 0530) series. Utilization in areas subject to explosion hazard is not permitted, unless expressly intended for this purpose (see additional notes). The rectifiers are designed to comply with degree of protection I(s. rating plate). If in special cases it is intended to use the machines in nonindustrial areas and therefore requirements may be more stringent, compliance with such requirements must be assured during installation by providing additional protective measures on site. If there are any uncertainties in this respect, particularly in the event of missing product-related information, clarification must be obtained via the appropriate sales office.

Any contradictory information on the rating plate must be observed.

Low voltage motors are components for installation in machinery in terms of the Machine directive. Commissioning must not take place until it has been proved that the end product conforms to this guideline (please note EN 60204-1).

**Commissioning is prohibited until the final product conformity with the applicable guidelines established (observe EN 60204-1).**

### Direct current-lateral switching

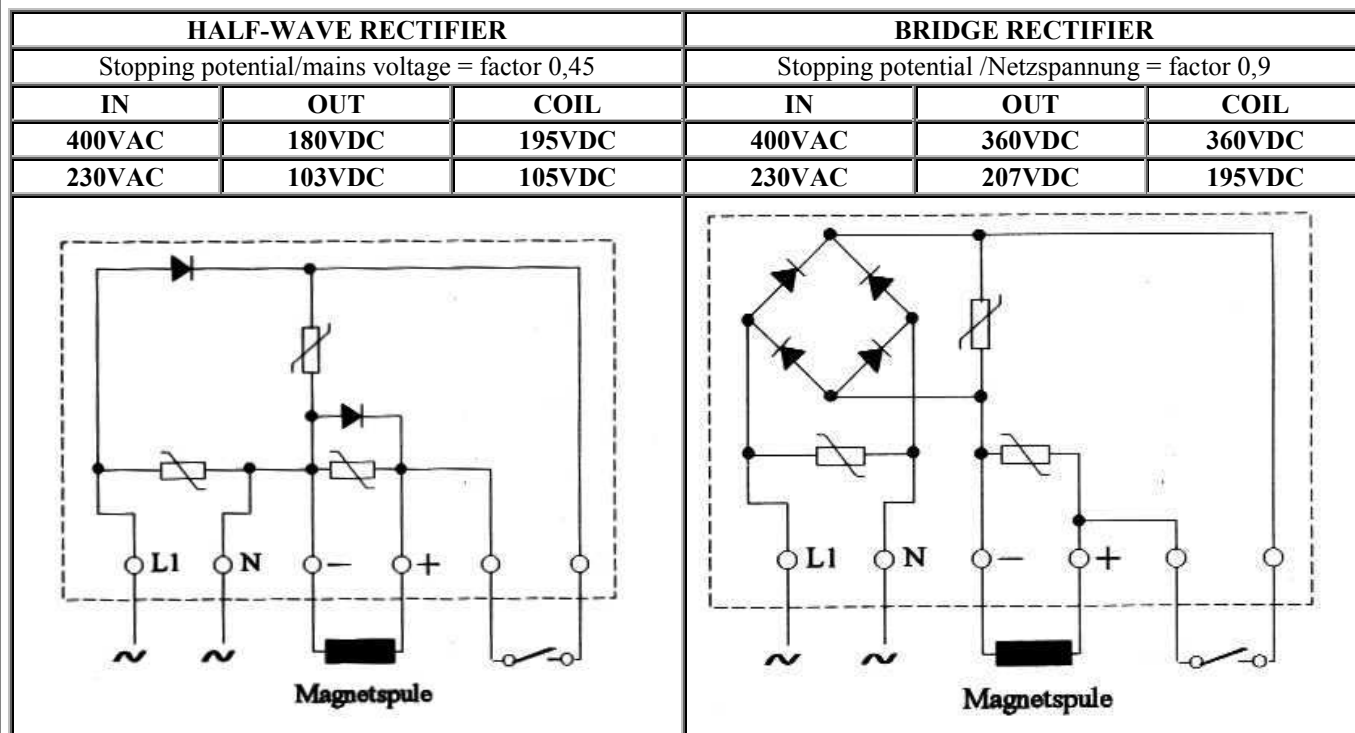
Switching takes place between electric rectifiers and magnet at S-S. The down time is short. Arising voltage peaks of switched inductances are reduced in the electric rectifier by a parallel to the load switched resistor and a fly wheeling diode on the DC voltage side. Almost delay-free responding, as it is demanded e.g. with electromagnetic brakes at electric motors, is guaranteed.

### Alternating current-lateral switching

Switching takes place before the electric rectifier on the 1AC-side. By slow dismantling of the magnetic field the down time is long. The switch contacts at the electric rectifier must be bridged.

### When do I select which electric rectifier?

rectifier with 4 connections		rectifier with 6 connections		
~	+	~	+	S
~	-	~	-	S
IN AC	OUT DC	IN AC	OUT DC	switch entrance for direct current-lateral quick disconnection



**KEMMERICH ELEKTROMOTOREN GMBH & CO. KG –HÜCKESWAGENERSTR. 120A – 51647 GUMMERSBACH**

Tel. +49/ (0) 2261/50198-0 Fax 50198-20 [www.elektromotoren.de](http://www.elektromotoren.de) – [info@elektromotoren.de](mailto:info@elektromotoren.de)